



# GLASS WALL FITTINGS

## Introduction

As a specialist in stainless steel products, **Norton Hardware Company Limited** is constantly introducing new products and features.

Our products are widely used in various kind of industries such as **construction industry, machinery manufacturing, home supplies and automotive production.**

In order to provide quality services, and improve high quality product, we continue to acquire more advances equipment, using direct reading spectroscopy to continuous improvement of production technology to meet the requirements of different customers.

The company is recognized for its high professional standards accumulated through years of experience.

We work towards long-term co-operations with our customers, enhancement in quality and technology and catering to special customer needs. We endeavor to carry forward the spirit of putting quality and customers foremost, as it is essential to winning customer confidence.

Our dedication to service plays a key role in the success of our customers.

## Purpose

We aim to provide quality products with customer's specific requirements.

Our commitment begins with using the best available equipment, materials, people, processes, and technology to manufacture our investment casting products.

Our goal is to produce on time, cost effective, precision investment cast parts that offer your greater opportunities to improve your product design, your cost, and part performance.

## Facilities

### Metal Stamping & Machining Facilities

1. Power press / Punching machine
2. Heavy duty machine
3. Drilling machine
4. General lathe
5. Milling machine
6. Tapping machine
7. Grinding machine
8. Electro - discharge machine
9. Wire cut machine
10. Furnace (Quenching Oil)
11. Welder
12. CNC lathe

### Investment Casting Facilities

13. Wax injection machine
14. Incubator
15. Steaming boiler
16. Melting furnace
17. Tumbling machine
18. Vertical steel blasting machine
19. Horizontal steel blasting machine
20. Cutting machine
21. Welding machine by hand
22. Powerful sand blasting machine
23. Horizontal finishing machine
24. Acid finishing workshop

### Finishing Facilities

25. Sand blasting machine
26. Ultrasonic cleaning machine
27. Material washing machine
28. Polishing rolling machine
29. Electric roaster
30. Horizontal surface finishing machine
31. Cleaning workshop

### Measuring Facilities

32. Overhead projector
33. Direct reading spectroscopy
34. Sclerometer

## Test Data of Spiders

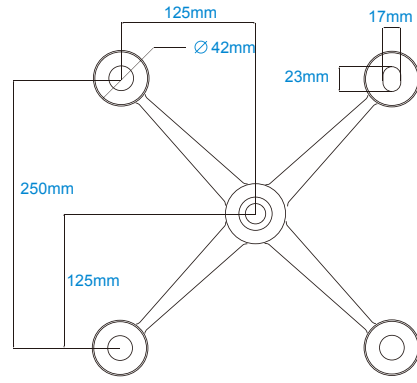
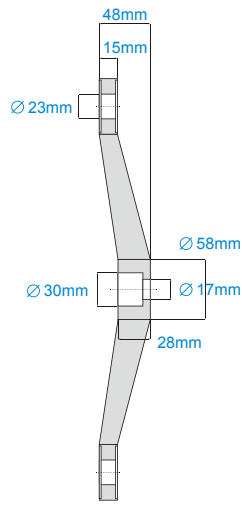
No.	Model No.	Load
1.	LHDL11-4	22.0 KN
2.	LHDL11-2	32.0 KN
3.	LHF204-4	32.0 KN
4.	LHF204-2	21.43 KN
5.	LHF220-4	30.26 KN
6.	LHF220-2	23.7 KN
7.	LHF250-4	34.66 KN
8.	LHF250-2	29.46 KN

## Test Data of Routels

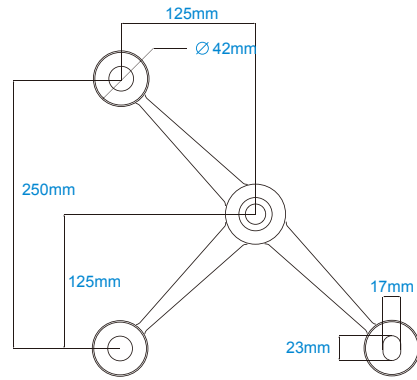
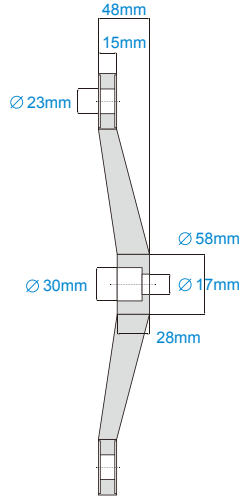
No.	Model No.	Pressure Load	Length of Bolt Cantilever	Tensile Load
1.	LHPT (16-60)	6.8 KN	50 mm	101.5 KN
2.	LHPT (12-50)	2.86 KN	50 mm	42.83 KN
3.	LHPZ (14-60)	4.26 KN	50 mm	46.83 KN
4.	LHPT (14-60)	4.8 KN	50 mm	81.0 KN
5.	LHPZ (12-60)	2.86 KN	50 mm	42.83 KN
6.	LHPT (12-60)	2.86 KN	50 mm	52.00 KN



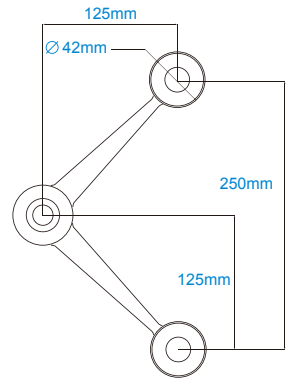
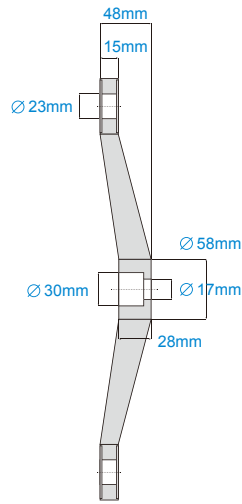
LHF250-4



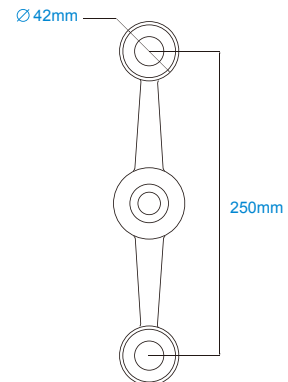
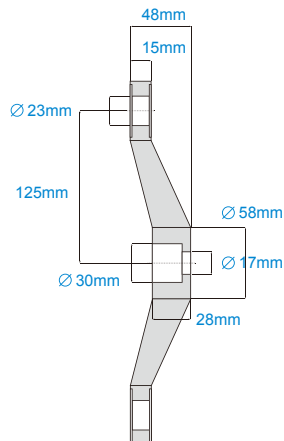
LHF250-3

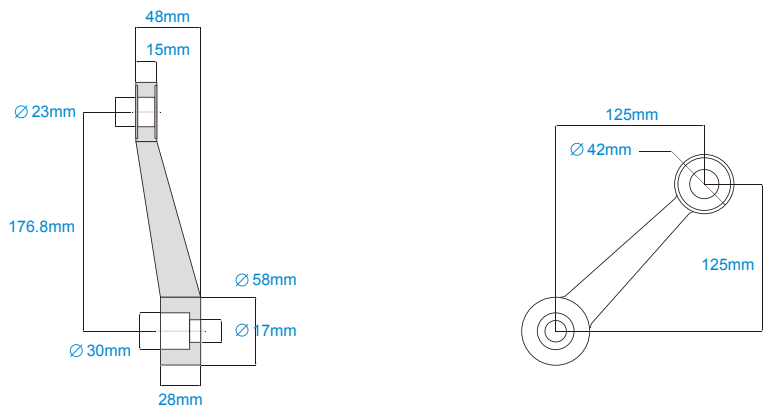


LHF250-2(90°)

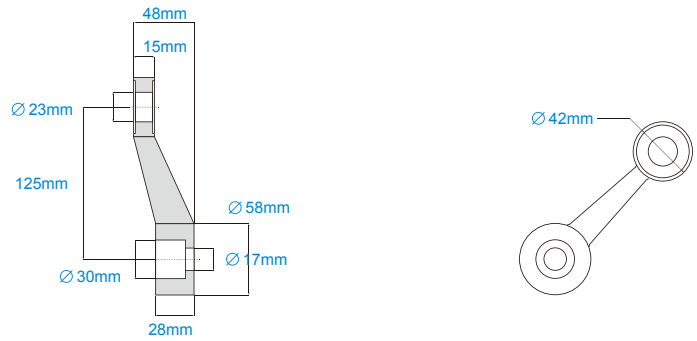


LHF250-2(180°)

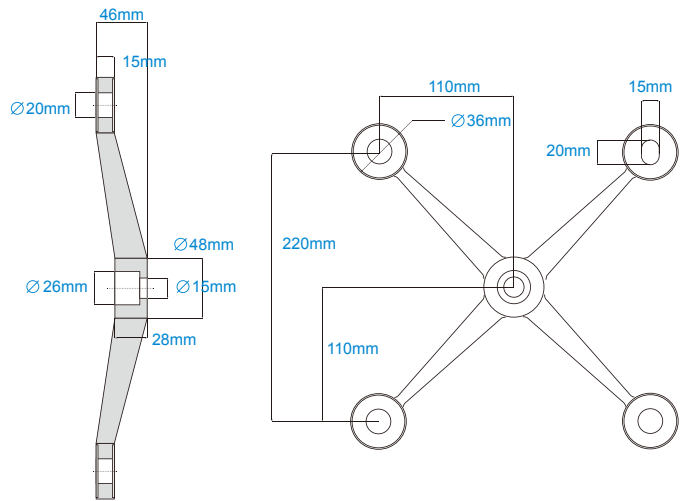




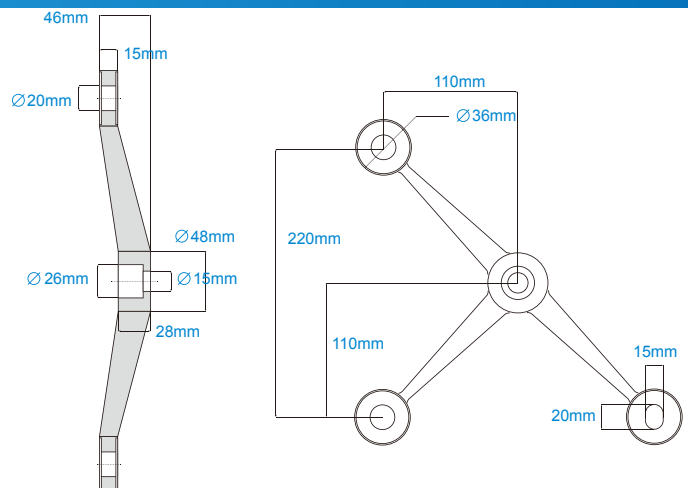
LHF250-1(90°)



LHF250-1(180°)



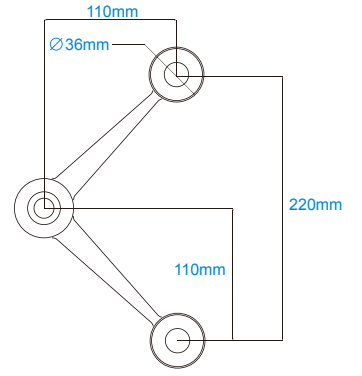
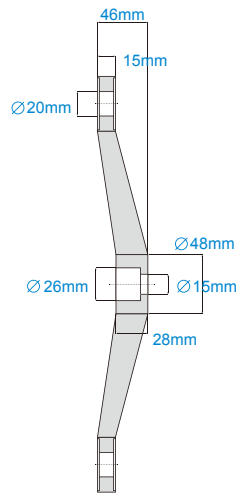
LHF220-4



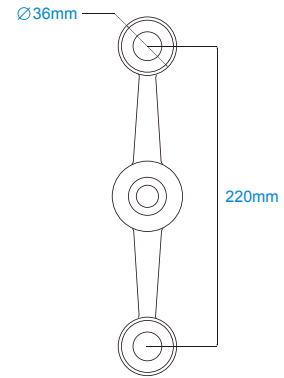
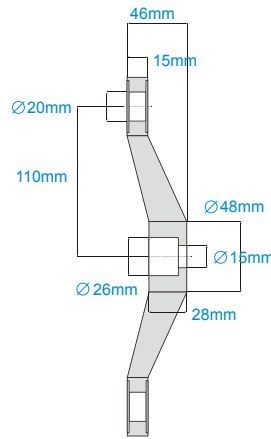
LHF220-3



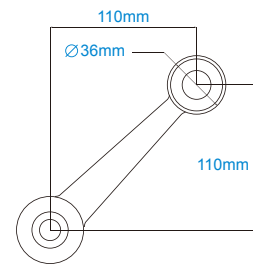
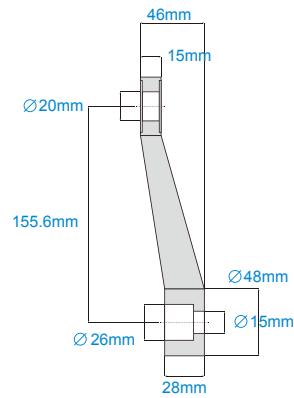
LHF220-2(90°)



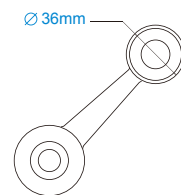
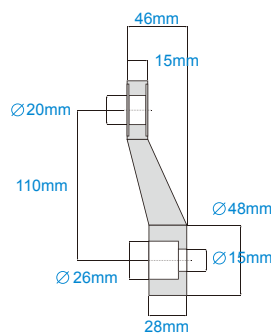
LHF220-2(180°)



LHF220-1(90°)

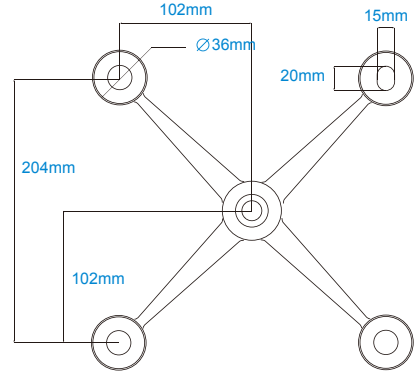
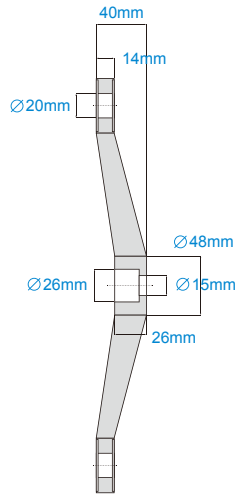


LHF220-1(180°)

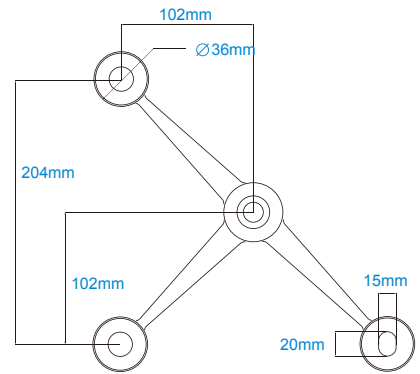
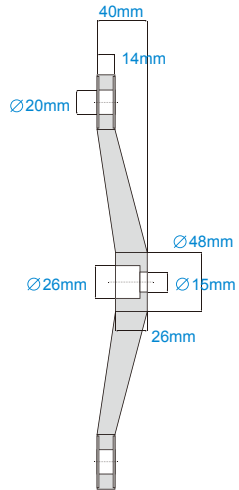




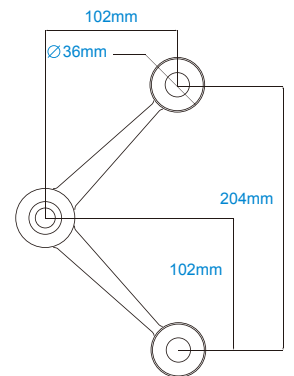
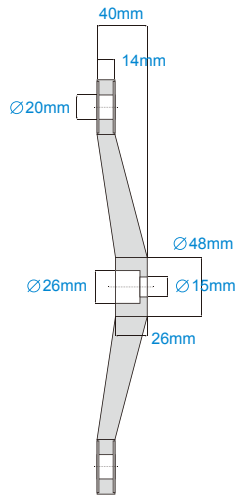
LHF204-4



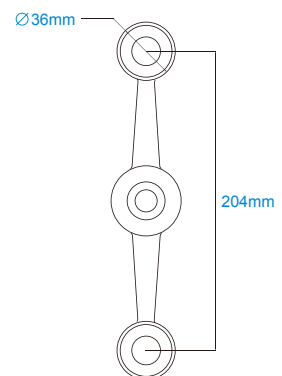
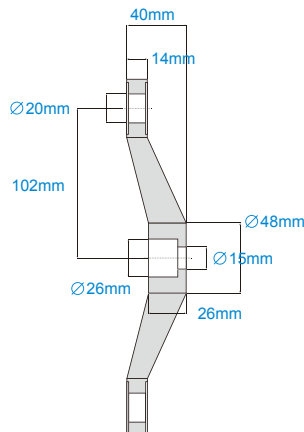
LHF204-3



LHF204-2(90°)

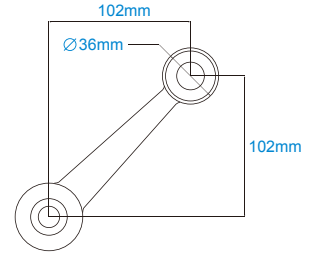
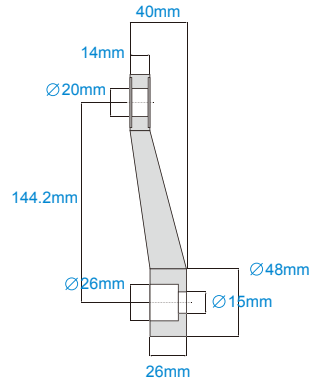


LHF204-2(180°)

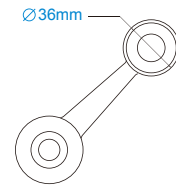
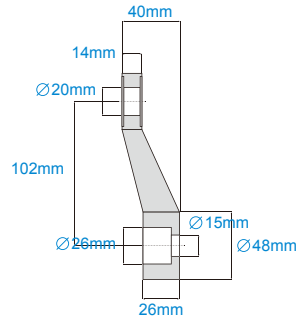




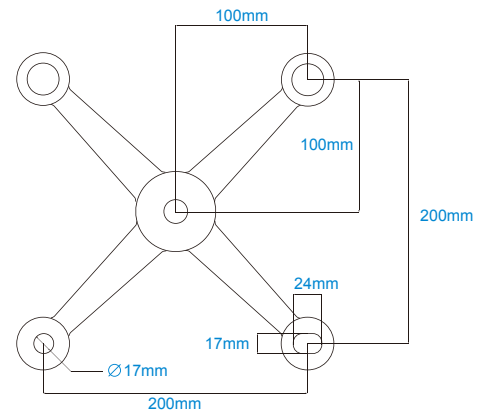
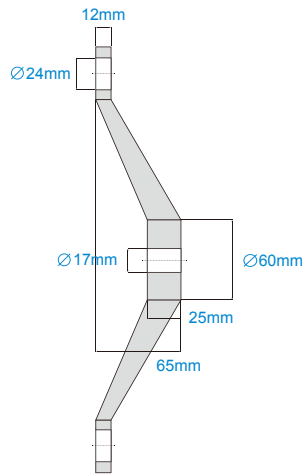
LHF204-1 (90°)



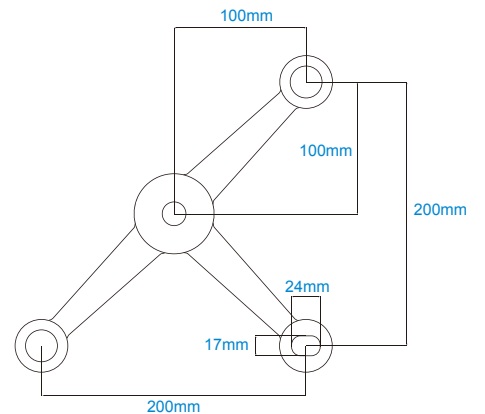
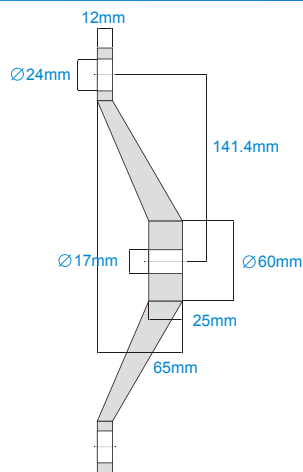
LHF204-1 (180°)



LHDL11-4



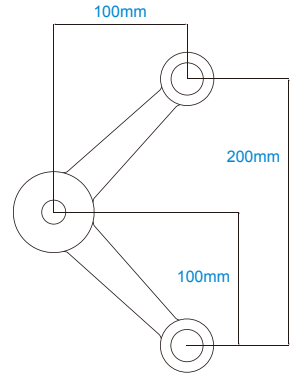
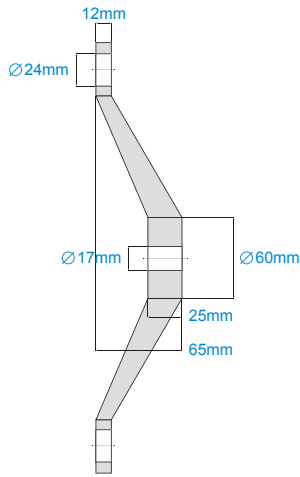
LHDL11-3



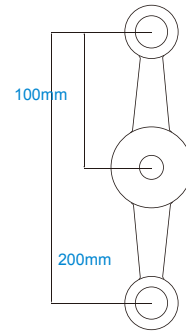
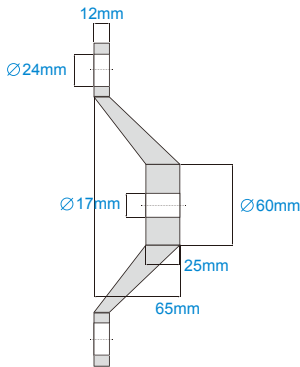




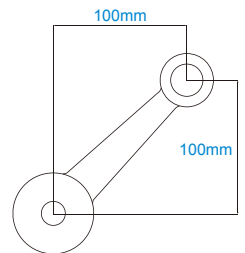
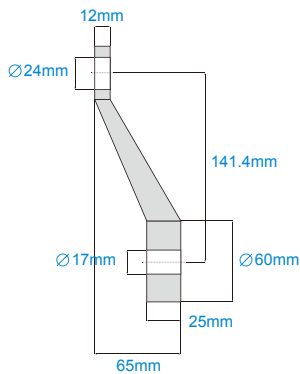
LHDL11-2(90°)



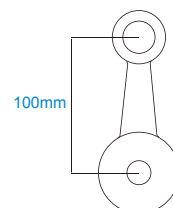
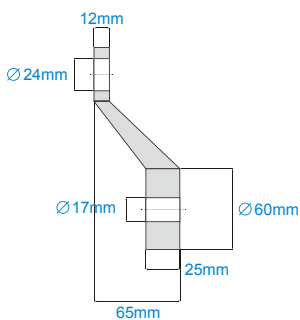
LHDL11-2(180°)

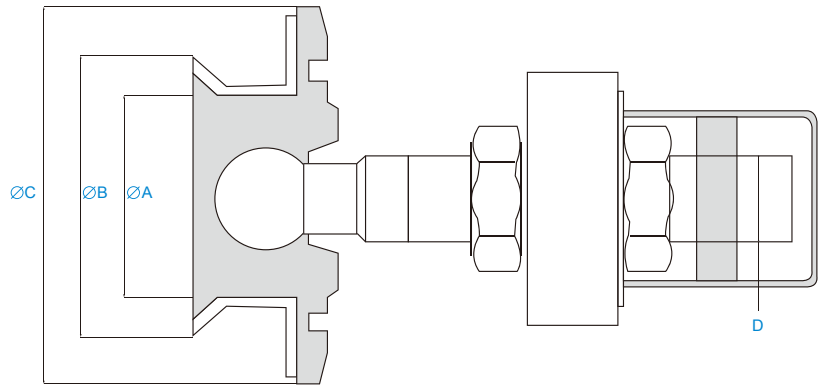


LHDL11-1(90°)



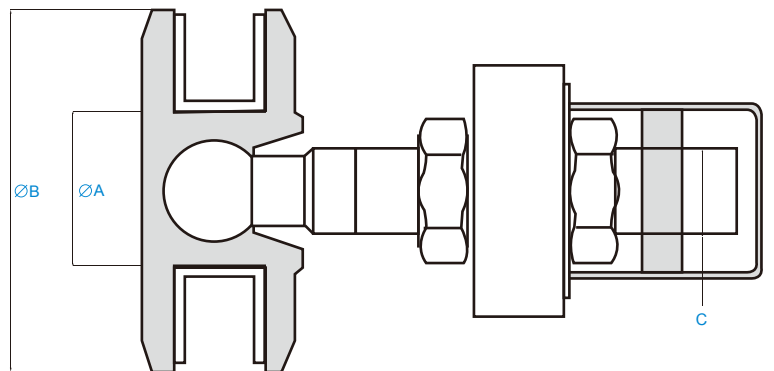
LHDL11-1(180°)





LHPZ

code	A	B	C	D
LHPZ (12-60)	32	45	60	M12
LHPZ (14-60)	32	45	60	M14

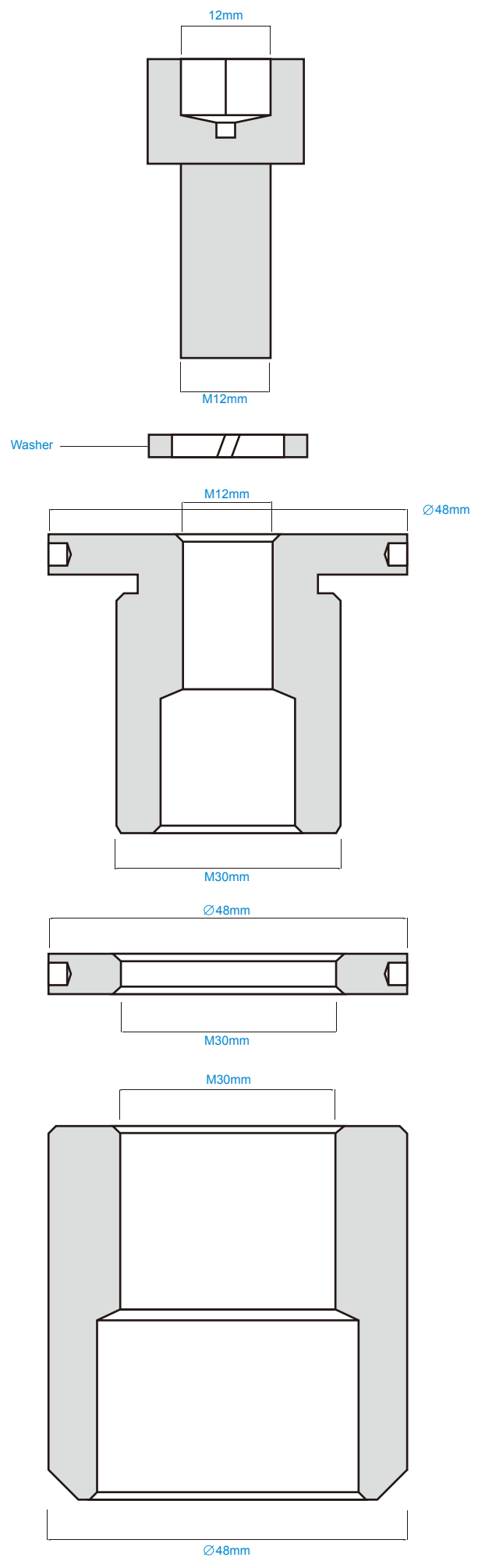


LHPT

code	A	B	C
LHPT (12-50)	26	50	M12
LHPT (12-60)	26	60	M12
LHPT (14-60)	26	60	M14
LHPT (16-60)	26	60	M16



LHASB



[www.nortonhardware.com.hk](http://www.nortonhardware.com.hk)